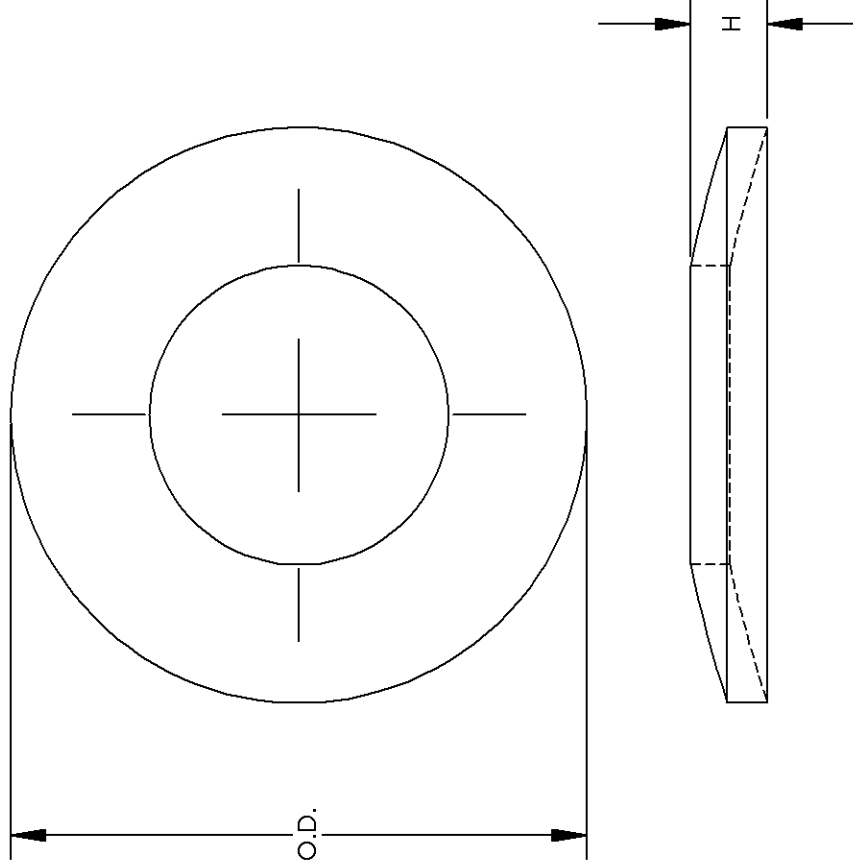


THIS COPY IS PROVIDED ON A RESTRICTED BASIS AND IS NOT TO BE USED IN ANY WAY DETRIMENTAL TO THE INTERESTS OF PANDUIT CORP.

PANDUIT PART NUMBER	BOLT SIZE	O.D.	H	LOAD TO FLAT (LBS)	QUANTITY
SSCW14-C	1/4"	0.50 [12.7mm]	0.06 [1.5mm]	1650/1275	100
SSCW38-C	3/8"	0.75 [19.1mm]	0.1 [2.5mm]	3200/2430	100

NOTES:

- PART NUMBERS: SSCW14, SSCW38
- MATERIAL: STAINLESS STEEL
- DIMENSIONS IN PARENTHESIS ARE MILLIMETERS



C41735_02

02	6/08	JHNU JHNU	REVISED "H" DIMENSION: .06 WAS .20, .10 WAS .20																	
01	5/08	JHNU JHNU	ADDED BOLT SIZE COLUMN TO TABLE																	
00	5/08	JHNU JHNU	DRAWING RELEASED																	
REV	DATE	BY	CHK	DESCRIPTION	ECN	PM	APP	DRAWN BY	CHK'D	SCALE	NONE	DRAWING NO / CAD FILE	C41735							
								JHNU	JHNU											
PANDUIT CORP. TINLEY PARK, ILLINOIS STAINLESS STEEL BELLEVILLE COMPRESSION WASHER (SSCW14-C, SSCW38-C) CUSTOMER DRAWING																				